

VALVE SIZE		A	B	C	D	E	F
NPS	DN						
2	50	8.25	10.4	4.80	6.0	2	0.75
2.5	65	8.25	11.4	5.40	7.1	2	0.75
3	75	8.50	12.5	6.19	7.5	4	0.75
4	100	9.50	13.9	7.50	9.1	4	0.88
5	125	9.50	16.0	7.50	10.0	4	0.88
6	150	10.00	17.5	9.50	11.0	6	0.88
8	200	10.50	21.0	11.75	13.6	6	0.88
10	250	12.00	24.5	14.00	16.0	8	0.88
12	300	13.00	27.4	16.25	19.1	8	0.88
14	350	14.00	30.8	18.75	21.1	10	0.88
16	400	18.00	33.8	21.00	23.5	12	0.88

NOTES:

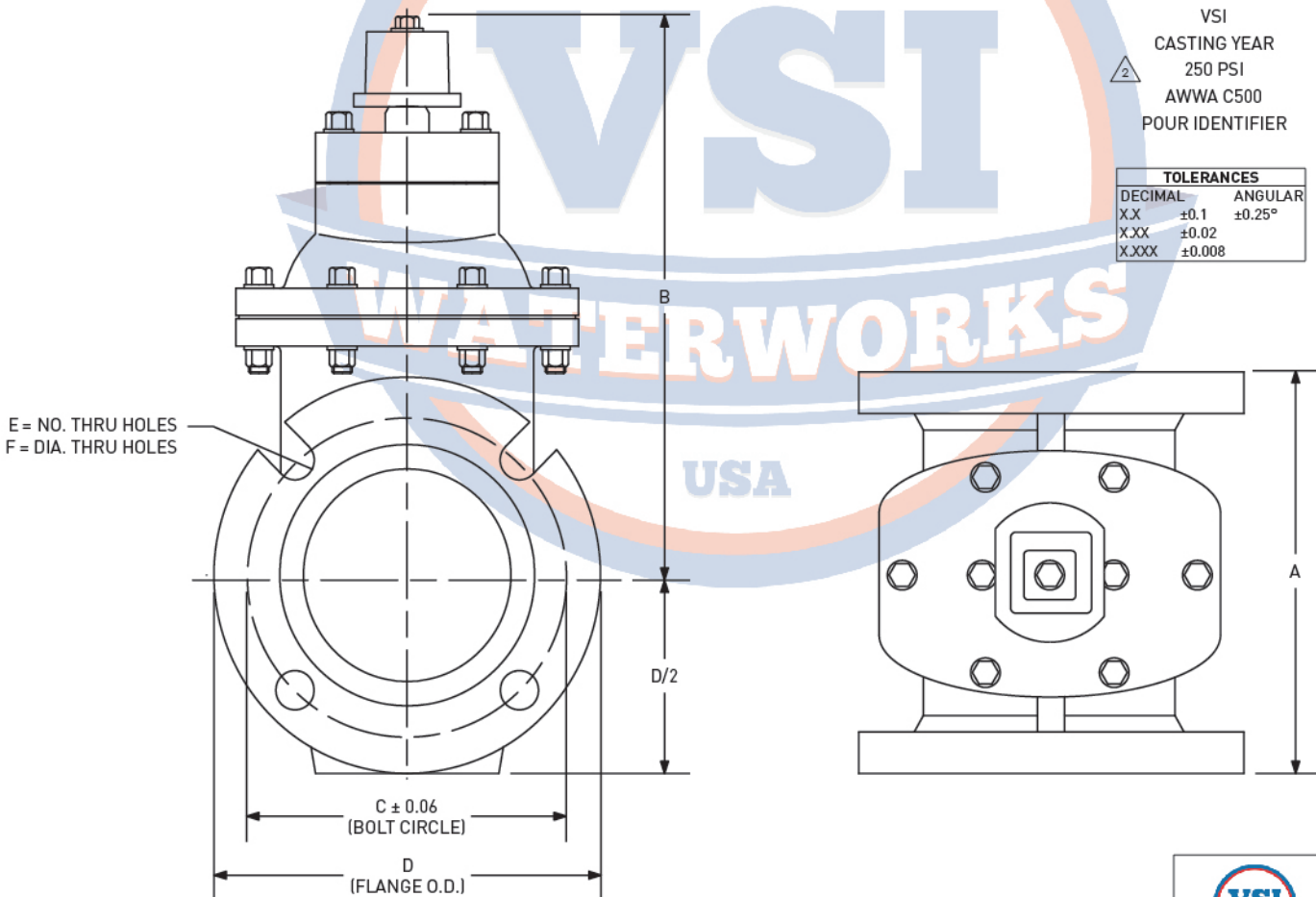
- 1) FLANGES PER AWWA C111
- 2) VALVE MANUFACTURED & TESTED IN ACCORDANCE WITH AWWA C500 LATEST REVISION

CAST EMBOSSED ON VALVE BODY:

VSI
 CASTING YEAR
 250 PSI
 AWWA C500
 POUR IDENTIFIER

TOLERANCES

DECIMAL	ANGULAR
XX	±0.1 ±0.25°
XXX	±0.02
XXXX	±0.008



VSI WATERWORKS
 1155 ALPA DR.
 ALPHARETTA, GA

1) 2"-16" MJ SERIES GVII
 AWWA 500 METAL SEATED
 GATE VALVE WITH NUT OP.

UNITS: INCHES REV 3
 SCALE: NTS 06-04-2015

DWG. NO. GVII-1050

REV.	DATE	BY	DESCRIPTION
3	06-04-15	TT	CORRECT DATE
2	08-01-14	TT	CORRECT PRESSURE
1	10-25-13	CJK	APPLICABLE SIZES