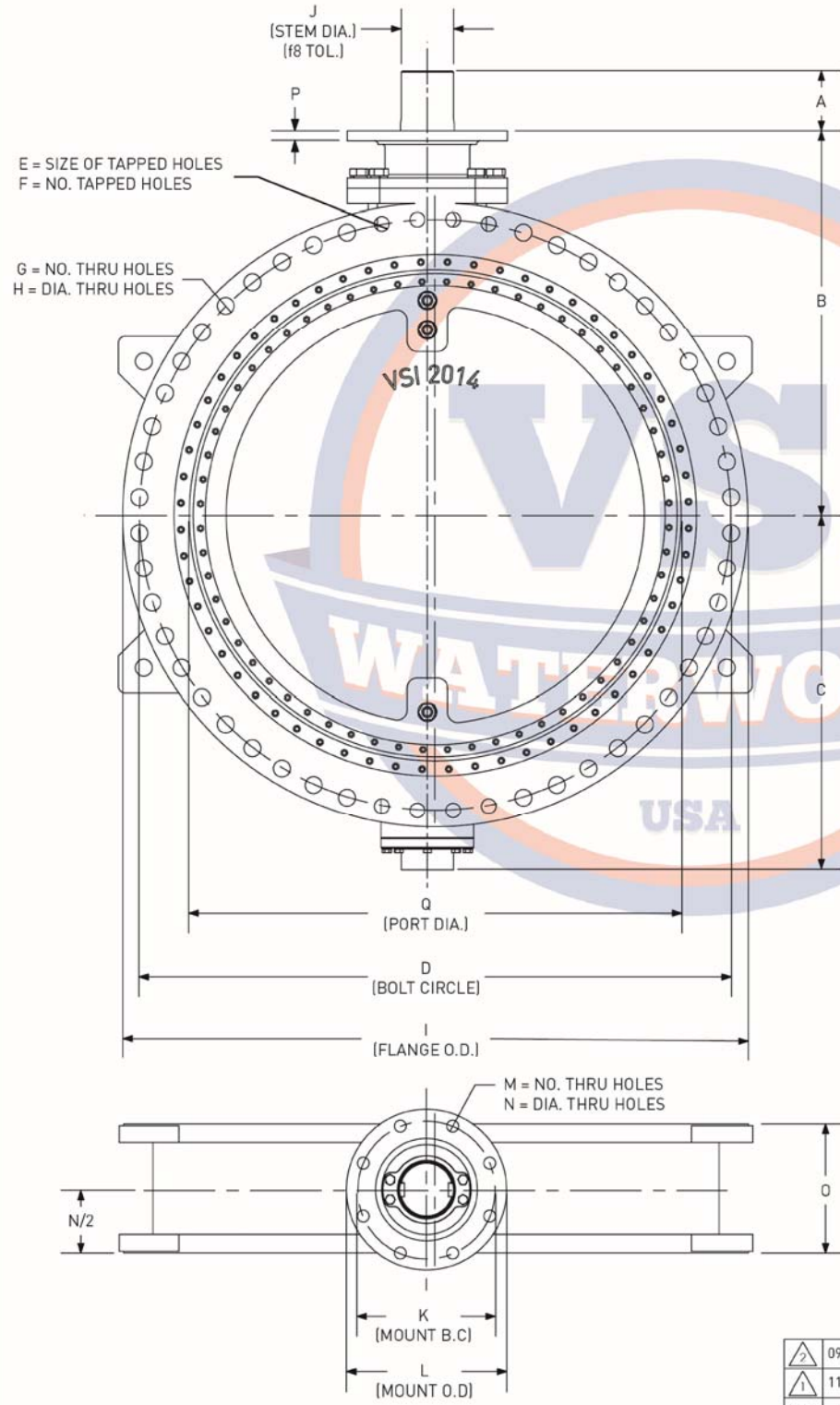


VALVE SIZE		A	B	C	D	E	F	G	H	I	J	K	L	M	N	O	P	Q
NPS	DN																	
36	900	5.12	31.3	23.9	42.75	1.5-6UNC	4	28	1.63	46.0	4.000	11.75	13.8	8	1.00	12.00	1.20	32.50
42	1050	5.51	36.2	27.0	49.50	1.5-6UNC	4	32	1.63	53.0	4.000	11.75	13.8	8	1.00	12.00	1.40	37.80
48	1200	7.00	43.4	37.8	56.00	1.5-6UNC	4	40	1.63	59.5	5.625	11.75	13.8	8	1.00	15.00	1.40	43.20
54	1350	8.00	48.5	38.5	62.75	1.38-6UNC	8	36	2.00	66.3	6.750	14.00	16.0	8	1.50	15.00	1.97	49.68
60	1500	9.84	49.1	39.0	69.25	1.38-6UNC	8	44	2.00	73.0	6.772	16.00	18.7	8	1.50	15.00	1.97	55.20
66	1650	9.84	53.0	42.9	76.00	1.38-6UNC	8	44	2.00	80.0	6.772	16.00	18.7	8	1.50	18.00	1.97	60.72
72	1800	11.81	57.1	47.6	82.50	1.38-6UNC	8	52	2.00	86.5	7.402	19.00	22.0	12	1.50	18.00	1.58	66.24



- NOTES:
- 1) FLANGES PER ASME/ANSI B16.1 CL125 AND B16.5 CL150
 - 2) ACTUATOR MOUNT PER MSS SP-101
 - 3) VALVE MANUFACTURED & TESTED IN ACCORDANCE WITH AWWA C504 LATEST-REVISION, CLASS 150B
 - 4) SEAT, SEAT RETAINER, AND SEATING SURFACE FIELD REPLACEABLE

CAST EMBOSSED ON VALVE BODY:
 VSI
 CASTING YEAR
 150 PSI
 AWWA C504
 POUR IDENTIFIER

TOLERANCES	
DECIMAL	ANGULAR
XX ±0.1	±0.25°
X.XX ±0.02	
X.XXX ±0.005	

	VSI WATERWORKS 1155 ALPA DR. ALPHARETTA, GA
	36"-72" FLANGED SERIES BFIII BUTTERFLY VALVE BARESTEM
UNITS: INCHES REV 2 SCALE: NTS 09-03-2015	
DWG. NO. BFIII-1055	

REV.	DATE	BY	DESCRIPTION
2	09-03-15	ZD	ADD F COL.
1	11-12-14	TT	48" LAYING LENGTH