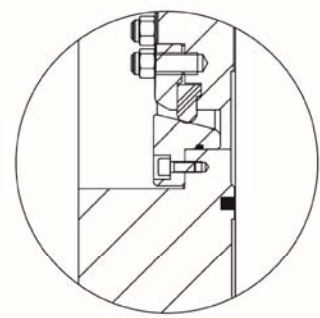


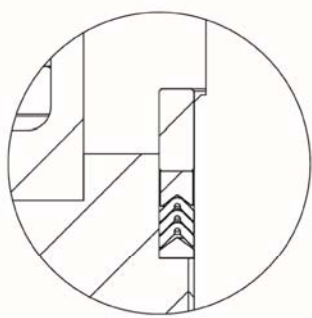
ITEM	DESCRIPTION	MATERIALS	TRIM
1	BODY	DUCTILE IRON ASTM A536 65-45-12	
		CAST IRON ASTM A126 CLASS B	
		STAINLESS ASTM A351 CF8	
		STAINLESS ASTM A351 CF8M	
2	DISC	DUCTILE IRON ASTM A536 65-45-12	
		CAST IRON ASTM A126 CLASS B	
		STAINLESS ASTM A351 CF8	
		STAINLESS ASTM A351 CF8M	
3	SHAFT	STAINLESS 304 ASTM A276	
		STAINLESS 316 ASTM A276	
		STAINLESS 17-4PH ASTM A693	
4	SHAFT PIN	STAINLESS 304 ASTM A276	
		STAINLESS 316 ASTM A276	
		STAINLESS 17-4PH ASTM A693	
5	BONNET	DUCTILE IRON ASTM A536 65-45-12	
		CAST IRON ASTM A126 CLASS B	
		STAINLESS ASTM A351 CF8	
		STAINLESS ASTM A351 CF8M	
6	PACKING GLAND	DUCTILE IRON ASTM A536 65-45-12	
		STAINLESS ASTM A351 CF8	
		BRONZE ASTM B584	
7	EXTERIOR HARDWARE	STAINLESS ASTM F593 GROUP 1	
		STAINLESS ASTM F593 GROUP 2	
		STEEL ASTM A325 TYPE 1	
8	PACKING	EPDM	
		BUNA-N (NBR)	
9	BEARING	REINFORCED PTFE	
		BRONZE ASTM B584	
10	SEATING SURFACE	STAINLESS 304 ASTM A276	
		STAINLESS 316 ASTM A276	
		BRONZE ASTM B584	
11	SEAT	EPDM	
		BUNA-N (NBR)	
		VITON (FPM)	
12	SEAT RETAINER	STAINLESS 304 ASTM A276	
		STAINLESS 316 ASTM A276	
		BRONZE ASTM B584	
13	WETTED HARDWARE	STAINLESS ASTM F593 GROUP 1	
		STAINLESS ASTM F593 GROUP 2	
		SILICON BRONZE ASTM B18.2.1	
14	O-RING	EPDM	
		BUNA-N (NBR)	
15	BUSHING	PTFE	
		STAINLESS 304 ASTM A276	
		BRONZE ASTM B584	
16	END CAP	DUCTILE IRON ASTM A536 65-45-12	
		CAST IRON ASTM A126 CLASS B	
		STAINLESS ASTM A351 CF8	
		STAINLESS ASTM A351 CF8M	
		CARBON STEEL ASTM A216 WCB	

NOTES:
 1) VALVE ASSEMBLED WITH NSF61 APPROVED LUBRICANT
 2) IRON AND STEEL COMPONENTS COATED WITH AWWA C550 EPOXY

TEMPERATURE RESTRICTIONS		
SEAT	MIN	MAX
EPDM	-40F	300F
NBR	-30F	250F
FPM	-10F	400F
PTFE	-100F	450F



DETAIL: A



DETAIL: B

REV.	DATE	BY	DESCRIPTION
3	09-07-16	TT	REMOVE MJ ILLUSTRATION
2	06-11-15	ZD	EDIT TRIM
1	05-21-14	TT	SEAT MAT. EDIT



VSI WATERWORKS
 1155 ALPA DR.
 ALPHARETTA, GA

CROSS SECTION
 PARTS AND MATERIALS LIST
 36"-72" SERIES BFIII
 AWWA C504 BUTTERFLY VALVE

UNITS: INCHES REV 3
 SCALE: NTS 09-07-216

DWG. NO. BFIII-1050