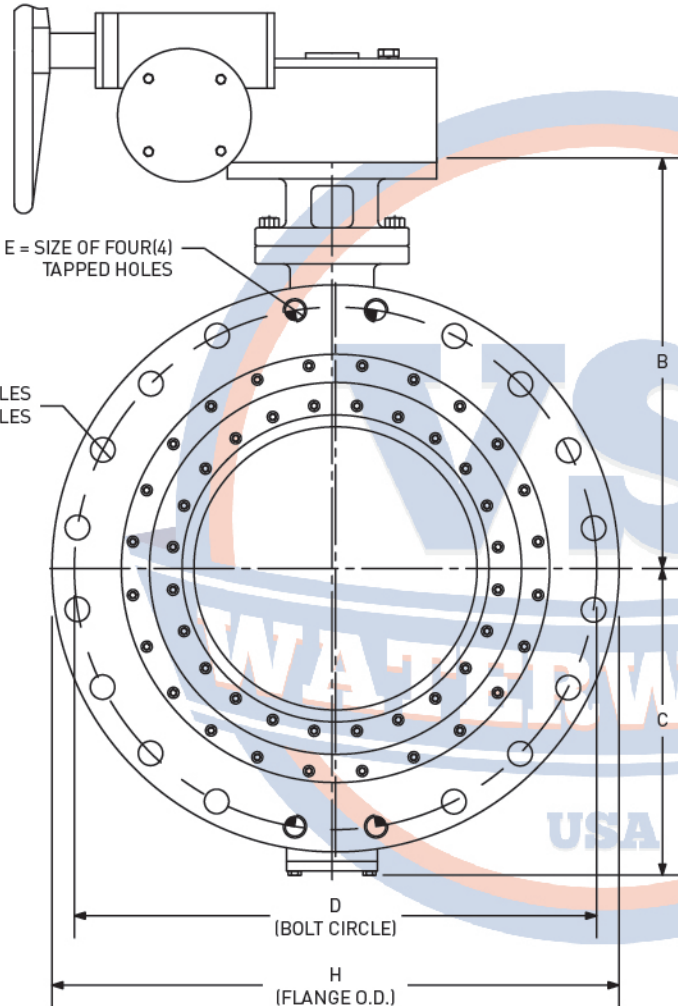


VALVE SIZE		B	C	D	E	F	G	H	N
NPS	DN								
4	100	6.26	4.8	7.50	0.625-11UNC	4	0.75	9.0	5.00
6	150	7.40	5.8	9.50	0.75-10UNC	4	0.87	11.0	5.00
8	200	8.66	6.8	11.75	0.75-10UNC	4	0.87	13.5	6.00
10	250	13.35	8.8	14.25	0.875-9UNC	8	0.98	16.0	8.00
12	300	14.39	10.1	17.00	0.875-9UNC	8	0.98	19.0	8.00
14	350	15.12	10.6	18.74	1-8UNC	8	1.18	21.0	8.00
16	400	17.32	13.4	21.25	1-8UNC	12	1.18	23.6	8.00
18	450	18.31	14.0	22.75	1.125-7UNC	12	1.18	25.0	8.00
24	600	23.17	17.3	29.50	1.25-7UNC	16	1.38	32.0	8.00
30	750	26.77	19.4	36.00	1.25-7UNC	24	1.38	38.8	12.00



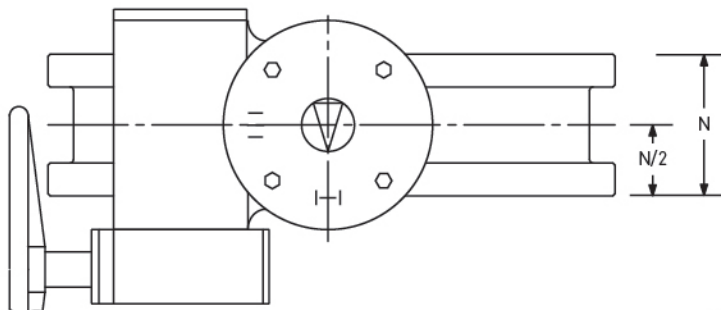
NOTES:

- 1) FLANGES PER ASME/ANSI B16.1 CL125 AND B16.5 CL150
- 2) ACTUATOR MOUNT PER MSS SP-101
- 3) VALVE MANUFACTURED & TESTED IN ACCORDANCE WITH AWWA C504 LATEST REVISION, CLASS 150B
- 4) SEAT, SEAT RETAINER, AND SEATING SURFACE FIELD REPLACEABLE

CAST EMBOSSED ON VALVE BODY:

VSI  
CASTING YEAR  
150 PSI  
AWWA C504  
POUR IDENTIFIER

TOLERANCES		
DECIMAL		ANGULAR
X.X	±0.1	±0.25°
X.XX	±0.02	
X.XXX	±0.005	



VSI WATERWORKS  
1155 ALFA DR.  
ALPHARETTA, GA

4"-30" FLANGED SERIES BFIII  
BUTTERFLY VALVE  
WORM GEAR WITH HANDWHEEL

UNITS: INCHES    REV 1  
SCALE: NTS        05-14-14

DWG. NO. BFIII-1030

REV.	DATE	BY	DESCRIPTION
△	05-14-14	TT	CORRECT 14-INCH BC