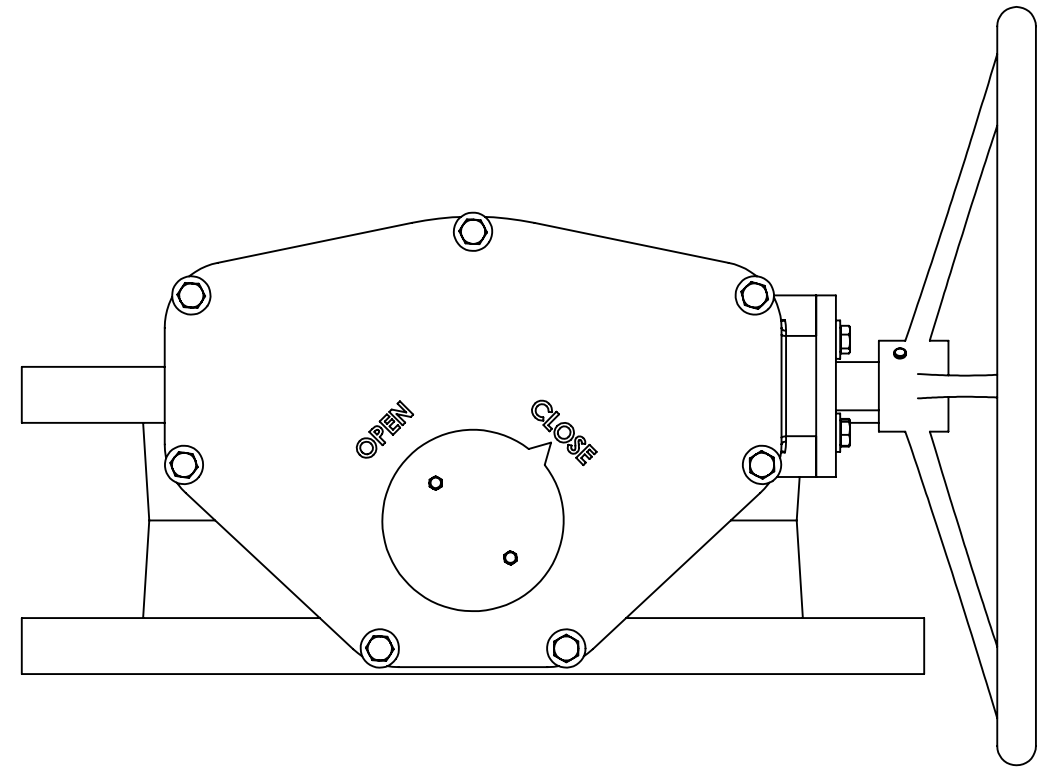


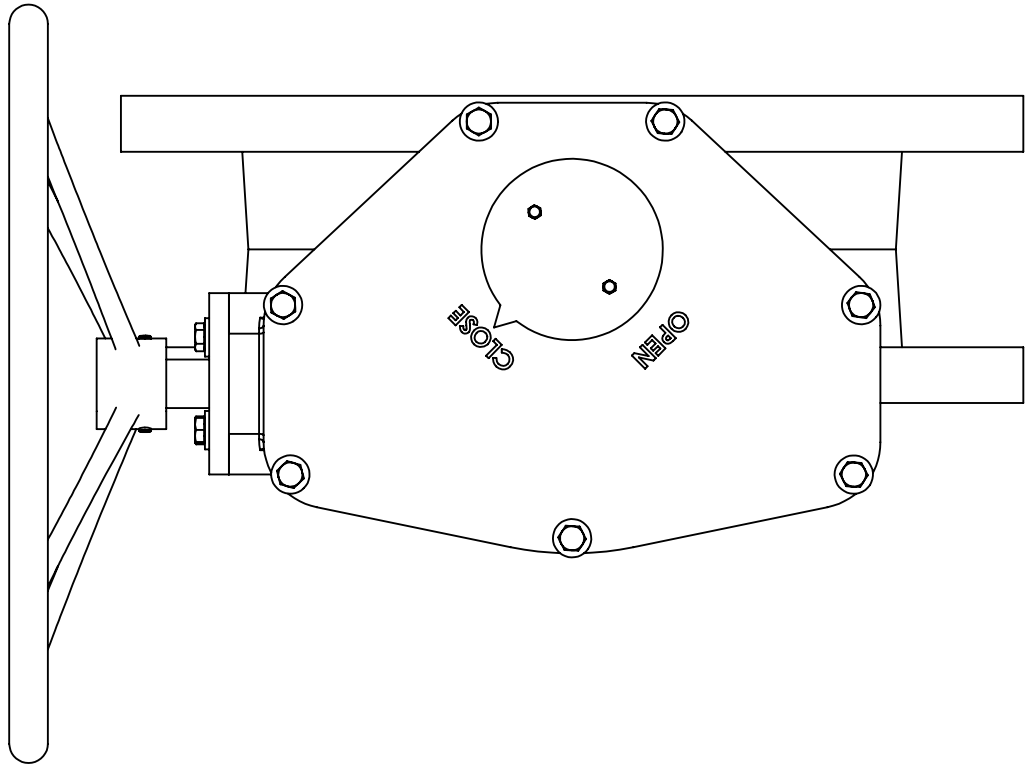
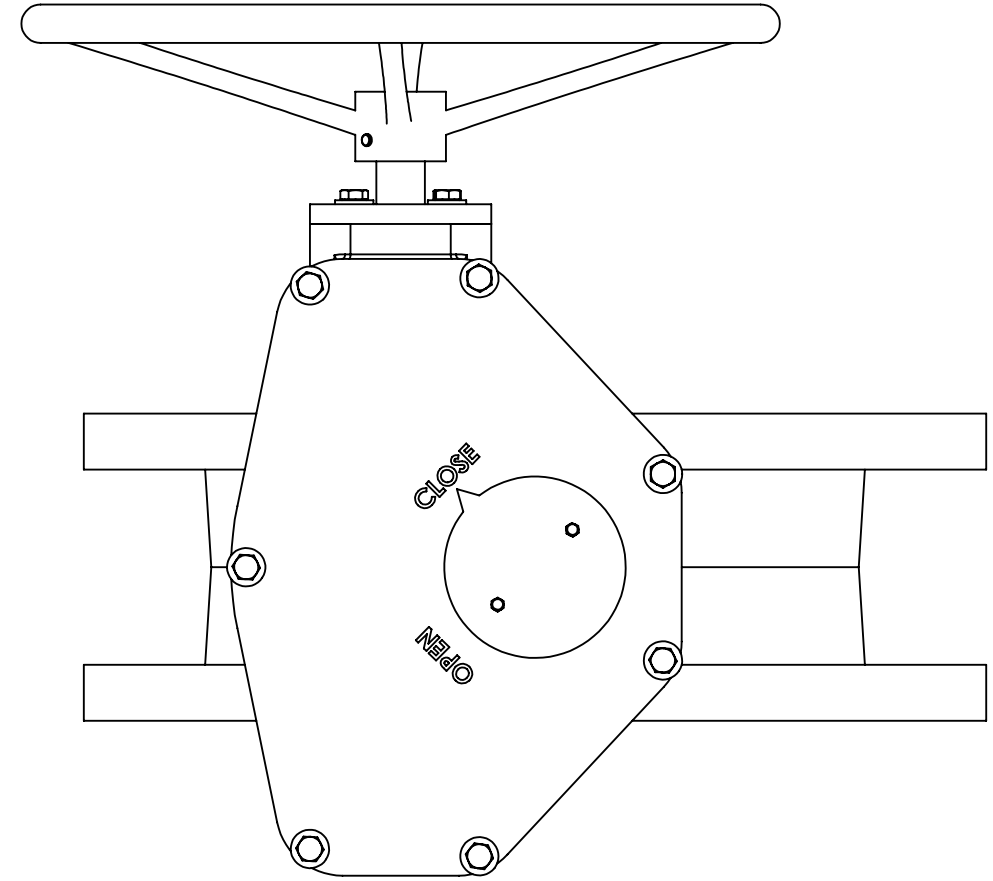
8 7 6 5 4 3 2 1

F E D C B A

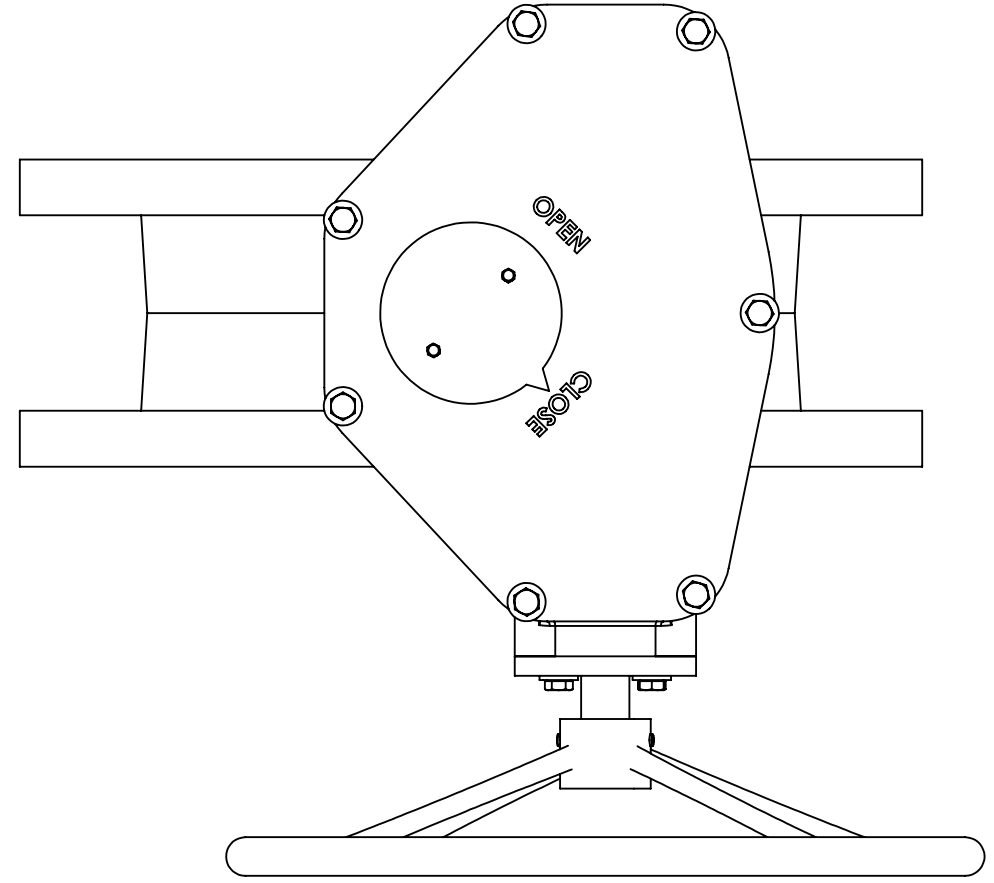
Position 1



Position 2



Position 4



Position 3

Notes:

- MJ and Flanged connections follow same mounting positions.
- Position 1 is standard and all other configurations must be requested upon order
- Position 2 & 4 are subject to HW to pipe interference.

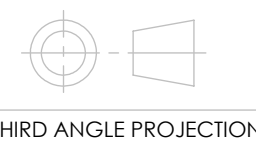
6/5/2023	TMJ
PART #:	

BFI GEAR ORIENTATIONS



VSI Waterworks
 1155 ALPHA DR, ALPHARETTA, GA 30004
 770.740.0800, FAX 770.740.8777

MATERIAL:
FINISH:



THIRD ANGLE PROJECTION

GENERAL TOLERANCES UNLESS OTHERWISE SPECIFIED:
 X.X ± 0.03 X.X° ± 0.5°
 X.XX ± 0.01
 X.XXX ± 0.005

THIS DRAWING REPRESENTS PROPRIETARY DESIGN INFORMATION, ORIGINATED BY VSI WATERWORKS FOR IT OR ITS CLIENT. THIS DRAWING IS CONFIDENTIAL. DO NOT DISTRIBUTE WITHOUT THE WRITTEN CONSENT OF VSI WATERWORKS

A

8 7 6 5 4 3 2 1